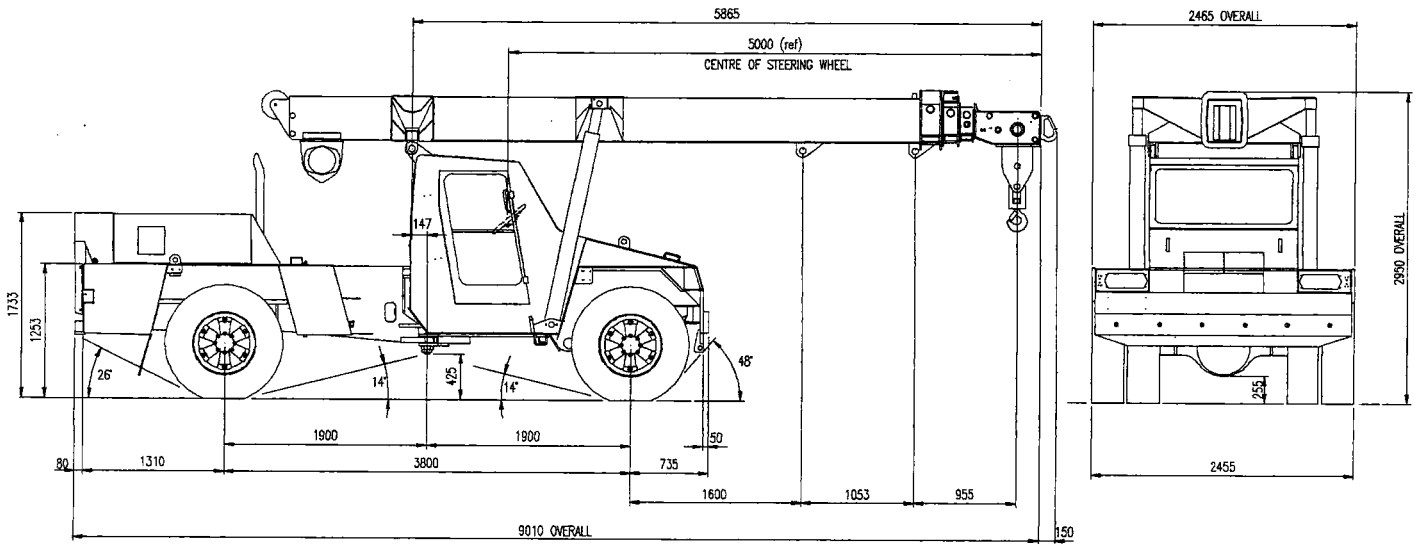


INFORMATIONAL DATA



Crane Dimensions

Length (carrier)	5 925
Width	2 500
Height (with Boom)	2 950
Length Overall	9 010
Wheelbase	3 800
Front Axle Weight	6 000 kg
Rear Axle Weight	10 000 kg