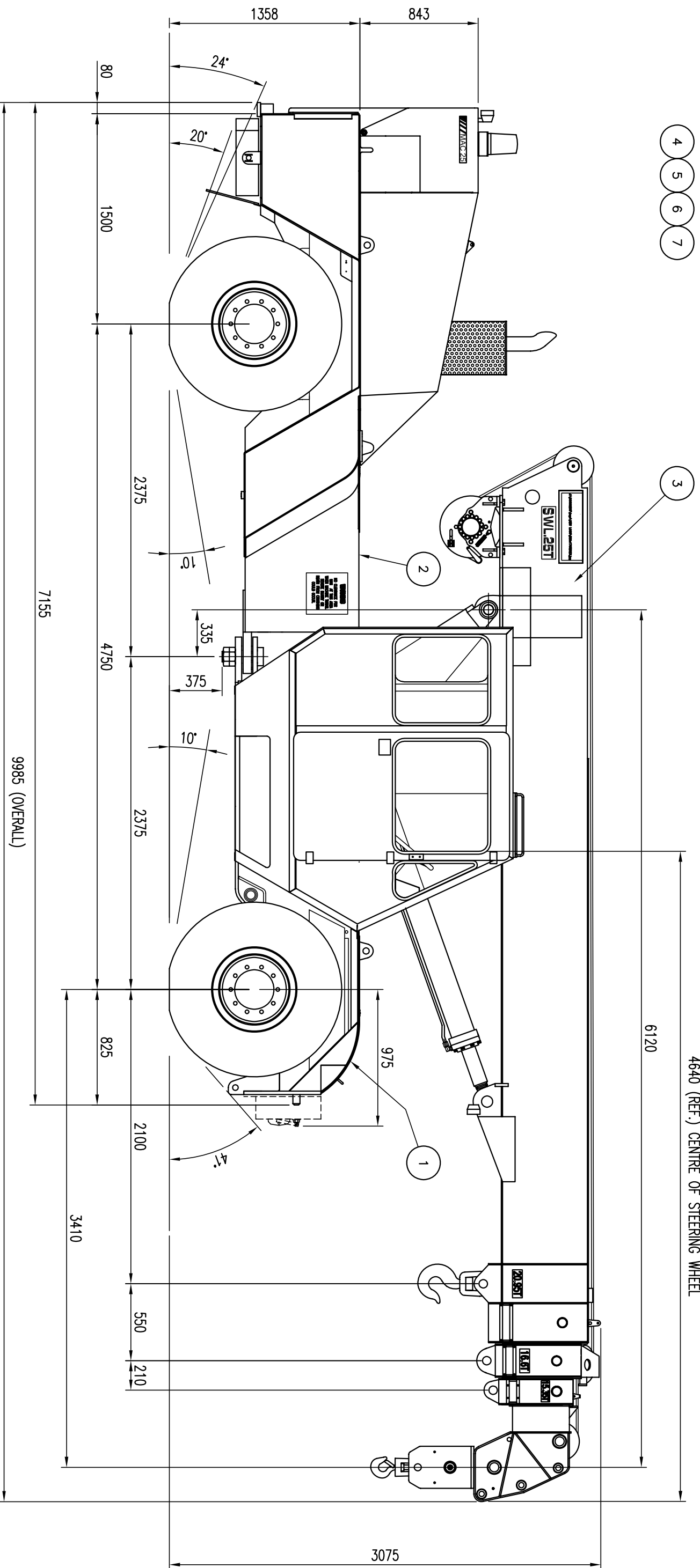


KITS NOT ILLUSTRATED  
 4 5 6 7



4640 (REF.) CENTRE OF STEERING WHEEL

6120

3075

9985 (OVERALL)

**NOMINAL TARE: (C/WEIGHT REAR)**  
 FRONT : 9850 kg  
 REAR : 14040 kg  
 TOTAL : 23900 kg

**NOMINAL TARE: (C/WEIGHT FRONT)**  
 FRONT : 11900 kg  
 REAR : 12000 kg  
 TOTAL : 23900 kg

TURNING RADIUS : 7900mm  
 WIDTH : 2720mm

REV	CHG	BY	DATE	UNLESS OTHERWISE STATED ALL WELDING TO AS1554 CATEGORY SP AND ALL DIMENSIONS IN (mm) & TOLERANCED TO LIMITS SHOWN
1				
2				
3				
4				
5				
6				
7				
8				
9				
10				
11				
12				
13				
14				
15				
16				
17				
18				
19				
20				
21				
22				
23				
24				
25				
26				
27				
28				
29				
30				
31				
32				
33				
34				
35				
36				
37				
38				
39				
40				
41				
42				
43				
44				
45				
46				
47				
48				
49				
50				
51				
52				
53				
54				
55				
56				
57				
58				
59				
60				
61				
62				
63				
64				
65				
66				
67				
68				
69				
70				
71				
72				
73				
74				
75				
76				
77				
78				
79				
80				
81				
82				
83				
84				
85				
86				
87				
88				
89				
90				
91				
92				
93				
94				
95				
96				
97				
98				
99				
100				

FRANWA CRANES PTY LTD  
 MOBILE CRANE MANUFACTURERS  
 A.C.N. 010 671 048

MAC 25 WITH  
 OM906 & MD3060  
 MAC 25 CRANE

DRG No. MC25-A-1-055  
 PRODUCT No. : MXA1055-

AS 1100  
 DO NOT SCALE

SHEET A3  
 SCALE 1:30

DATE 11/02/04  
 DRN  
 CKD  
 APPD

REV