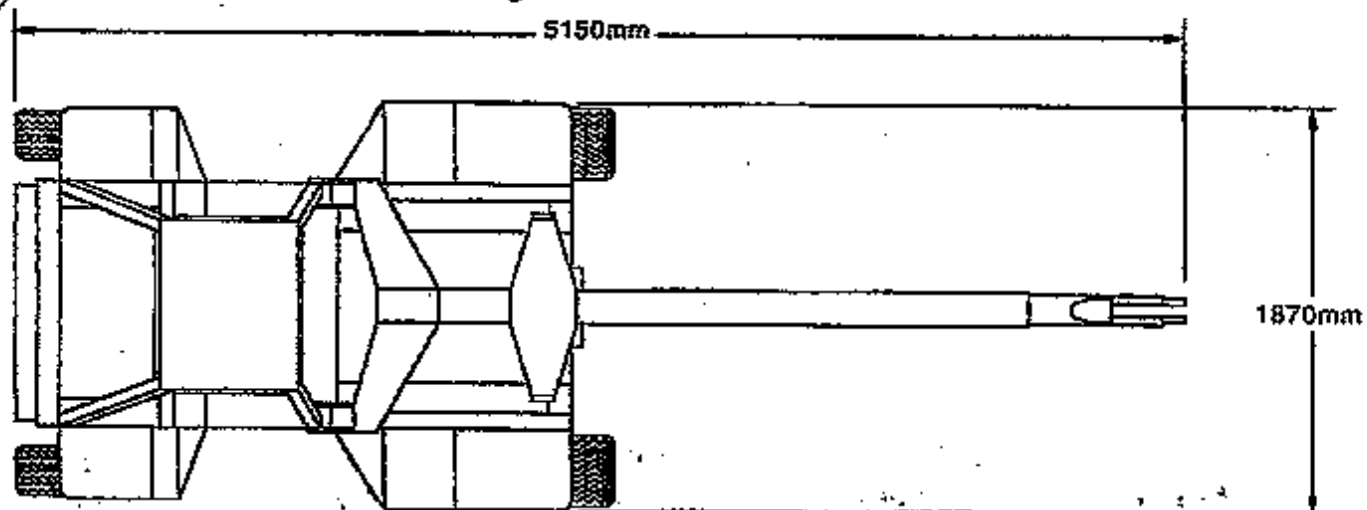


Rear 51.5psi
or 18kgs/cm²

Front 22.5psi
or 7.92kgs/cm²



NOTE:

Rear 20.8psi or 7.3kgs/cm² with all counter weights removed

